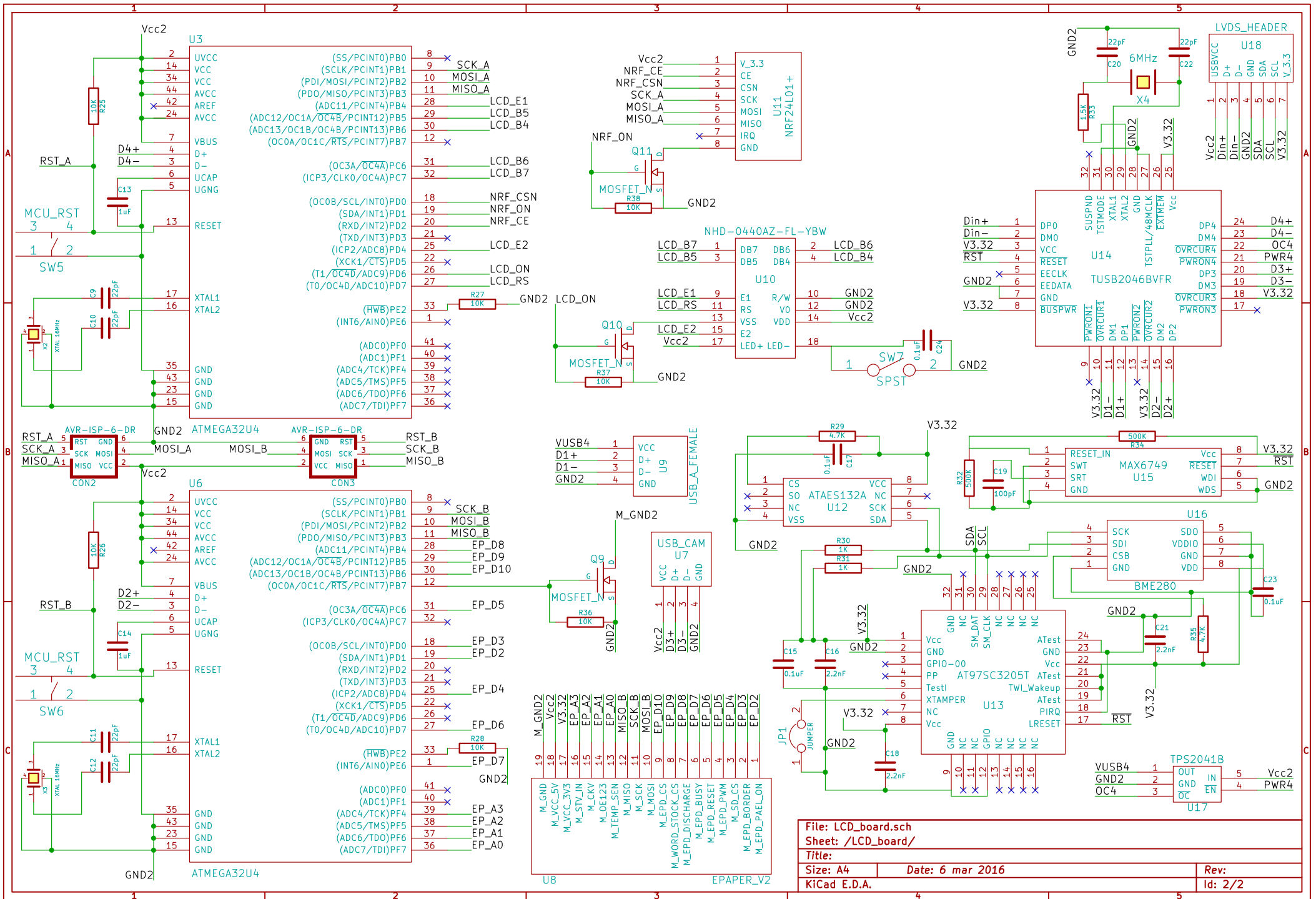


File: laptop_kbrd.sch		Rev:	
Sheet: /		Date: 6 mar 2016	
Title:		Id: 1/2	
Size: A4	Date: 6 mar 2016	Rev:	
KiCad E.D.A.		Id: 1/2	



File: LCD_board.sch		Rev:	
Sheet: /LCD_board/		Date: 6 mar 2016	
Title:		Id: 2/2	
Size: A4	Date: 6 mar 2016	Rev:	
KiCad E.D.A.			